

Hydraulic Speed Controller



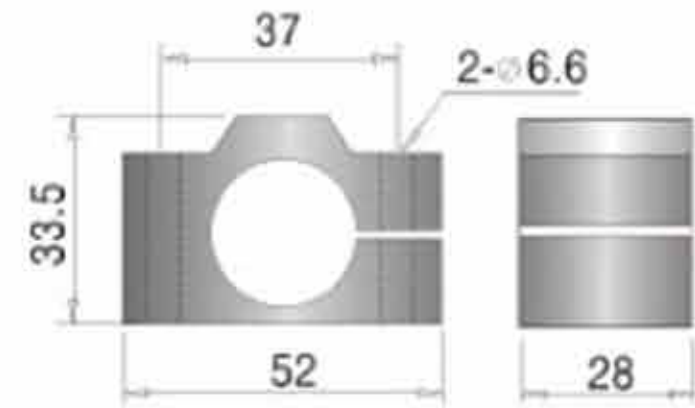
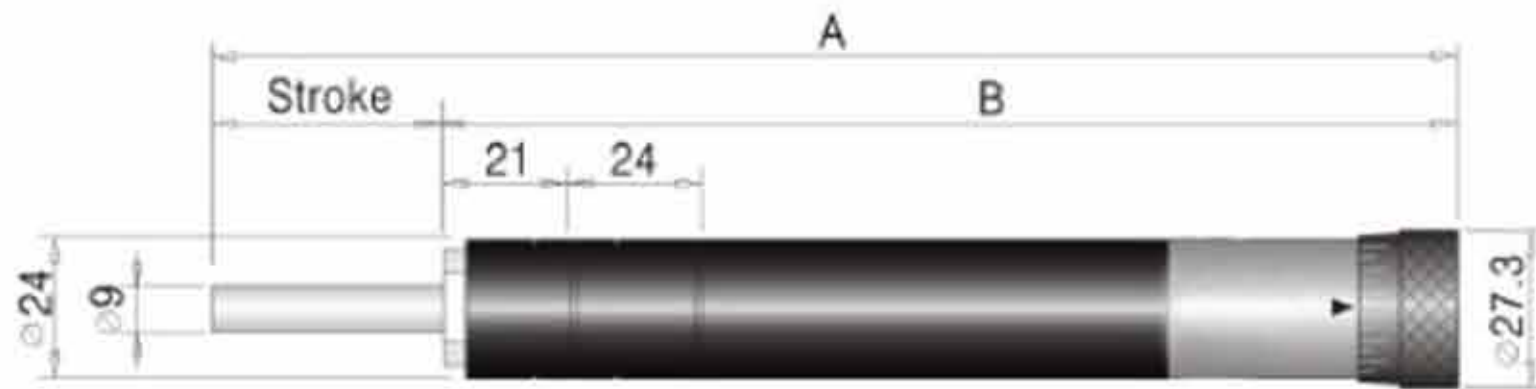
 **dolphin**
EXPORTS
AN ISO 9001-2015 CERTIFIED COMPANY


DURAPLUS
ROOFINGS


ISO 9001
2015
CERTIFIED


HARDY
TAIWAN

Overall Dimensions



| Model | A | B | Maximum Stroke | Working Temperature | Maximum Load |
|-------|-------|-------|----------------|---------------------|--------------|
| DE 15 | 157.1 | 142.1 | 15 mm | -10-70°C | 350 kgf |
| DE 30 | 207.1 | 177.1 | 30 mm | -10-70°C | 350 kgf |
| DE 60 | 287.6 | 227.6 | 60 mm | -10-70°C | 350 kgf |

Specification

- ◆ It can keep a long and stable control function adopting whole close structure of having no use for working oil
- ◆ The rapid change of load can bring teeny change of control speed and get stable feed speed
- ◆ Feed speed can be adjusted simply with adjustable knob
- ◆ Keeping a long and stable control and making regress diaplasis with spring
- ◆ Because the viscosity of oil is very stable along with the temperature change, so the function of steady speed is very good

Features

- ◆ It can improve the machining precision and have a continuous and steady control by precise and even movement
- ◆ The spring can make the piston diaplasia fastly with the perfect movement of the clapped valve
- ◆ The speed can be adjusted precisely by adjustable dia
- ◆ It can be applies to manipulator , cylinder, robotized machine, timing drill, muller, trimming machine,etc
- ◆ The unstandardized component can be also manufactured



AN ISO 9001-2015 CERTIFIED COMPANY

F- 343, Phase- 5, Focal Point,
Ludhiana - 141010, Punjab, India .

Ph. No.:- +91-161-5095142-43, +91-98550-09019

Email:- info@dolphinexports.com, mfg@dolphinexports.com

www.dolphinexports.com